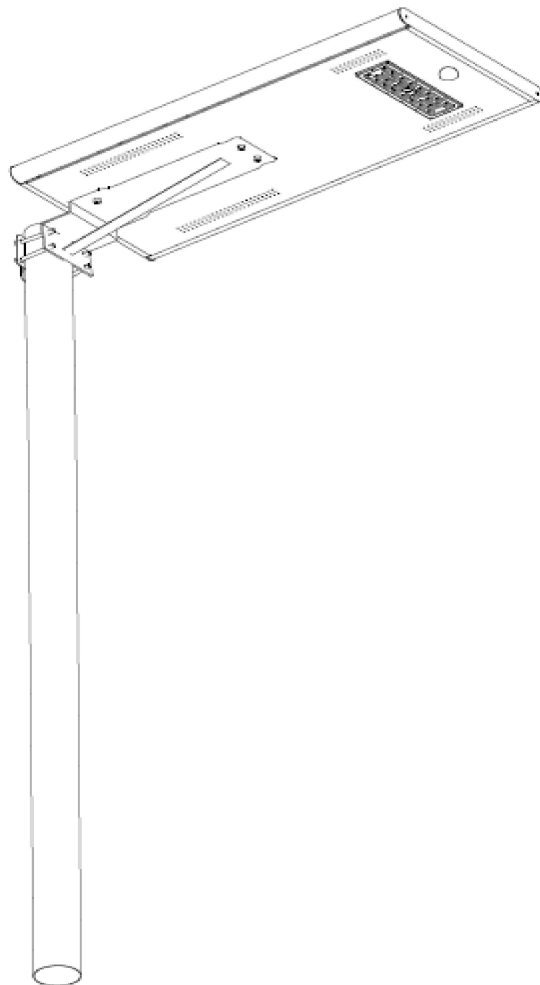


A Smart Renewable Energy Solution

All-in-One Integrated Solar LED Garden Light

Specification

SMLN - 30W



SUNMASTER

Designer solar light with added value

Application

The SUNMASTER designer solar light is a solar-powered LED lighting solution that can be used at any location where there is no mains power supply. Thanks to its timeless, prizewinning design, the SUNMASTER is excellent for lighting modern urban space as well as protected monumental structures. The ingenious operating system guarantees flawless function for several nights even during the worst weather. According to EN13201 the SUNMASTER is superlative for the illumination classes S5 and S6; that is to say, for side streets with minimal traffic, squares, parking places etc.

Benefits

Lower Operation Cost: It is less expensive to operate a solar powered street light than a traditional street light.

Compact Design: Our design and technology implementation have been driven by our desire to eliminate the need for bulky external battery boxes and external solar panels and achieve All in One Solar Powered Street Light.

Reduced Damage/Theft: By locating directly on the light fixture and placing the battery within, the risk of damage, theft or tampering is greatly reduced. There are no wires in the street pole, which means that the wire itself (which exists in regular street lights) can't be stolen and sold for scrap.

Ruggedized Technology: Require less maintenance and reduced parts replacement due to initially incorporating higher quality components.

Insect Swarms: The solar powered street light uses LED lighting which does not produce Infrared light, and therefore will not attract insects.

Improved Safety: The solar powered street light does not require connection to an electrical grid. It is safer and easier to install. In the event of a power outage, the light remains on. This reduces the chance of accidents and the constant light deters theft/vandalism.

Anywhere/anytime: The solar powered street light can be used in any location. Since no electrical grid is required, it can be installed on buildings, in parking lots, in remote locations simply by hanging it on a pole.

Faster Installation: Since you don't need to trench power lines to the pole, run wires up the pole, connect wires to an electrical grid, or hard wire the street light, the installation is significantly faster. In fact, it is so easy, it can be installed on the pole before it's erected, and thereby reducing a step completely from the process.

An added-value package combines a guarantee extended to 6 years with replacement battery and special anti-theft screw set.



Integrated all-in-one Street, road and area lighting

Technical data

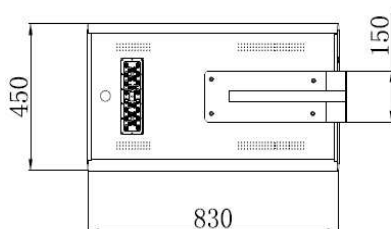
Specifications	
Charging Time	6-8 hours by sun
Discharging Time	>36hours (operated by motion sensor)
	Backup 3days
Working Temperature	-20°C – 70°C
Mounting Height	5-6m (suggested)
Space between light	15-20m (suggested)
Housing material	Aluminum alloy

Photovoltaics	
Module	Monocrystalline silicium cells
Open circuit voltage Voc	22.5V
max. voltage Umpp	18V
Short circuit current Isc	3.57A
max. current Imp	3.33A
max. power Pmax	60W
Tolerance Pmpp	0 to +3%
Dimensions module	820x397mm
Level of effectiveness of solar cells (moulded)	>17.8%

Illuminant	
LED max. output	30W
LED max. light flux	5100lm
Colour temperature	5.600k to 6.500k
Autonomous time with full battery max.	36h
LED life	>50,000h
State-of-the-art LED	Insect-neutral light



Lamp Size Chart



UNIT: MM

SMLN-30W
Al-in-one Solar Street light

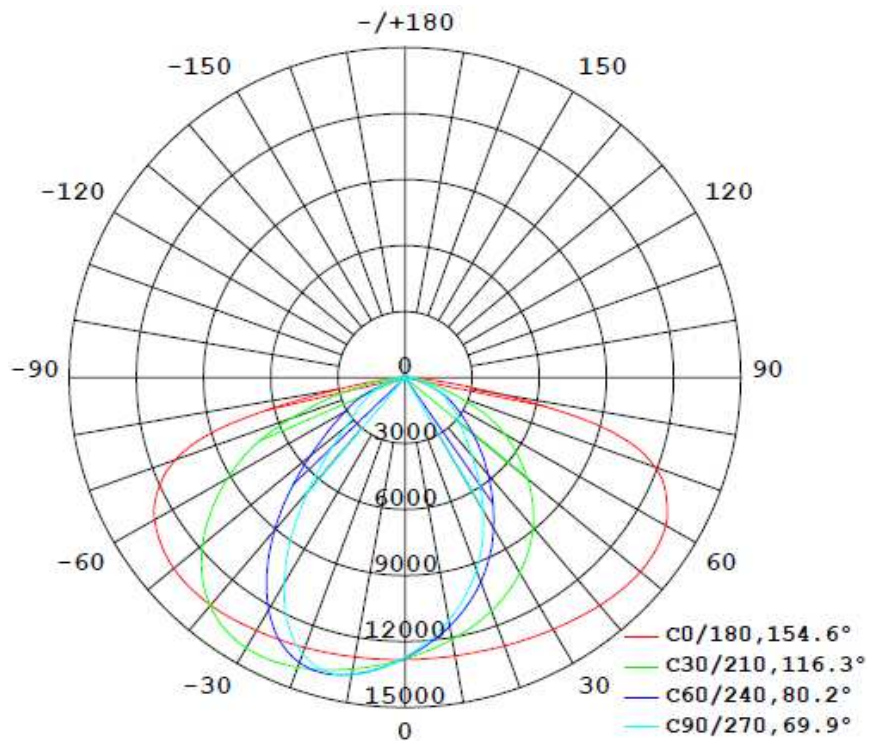
Technical data

Integrated all -in -one Street, road and area lighting

Battery	
capacity	Lithium battery(LiFeP04)24Ah/12.8v
voltage	12V
Battery life	approx.5-6 year
Operating temperature	-20°C~+70°C
Miscellaneous	Battery also charges on cloudy days

Guarantee	
(the guarantee period commences on production data)	2 years with 100% product guarantee 5 year guarantee on 90% minimum output 10 year guarantee on 80% minimum output

Intensity Distribution Diagram

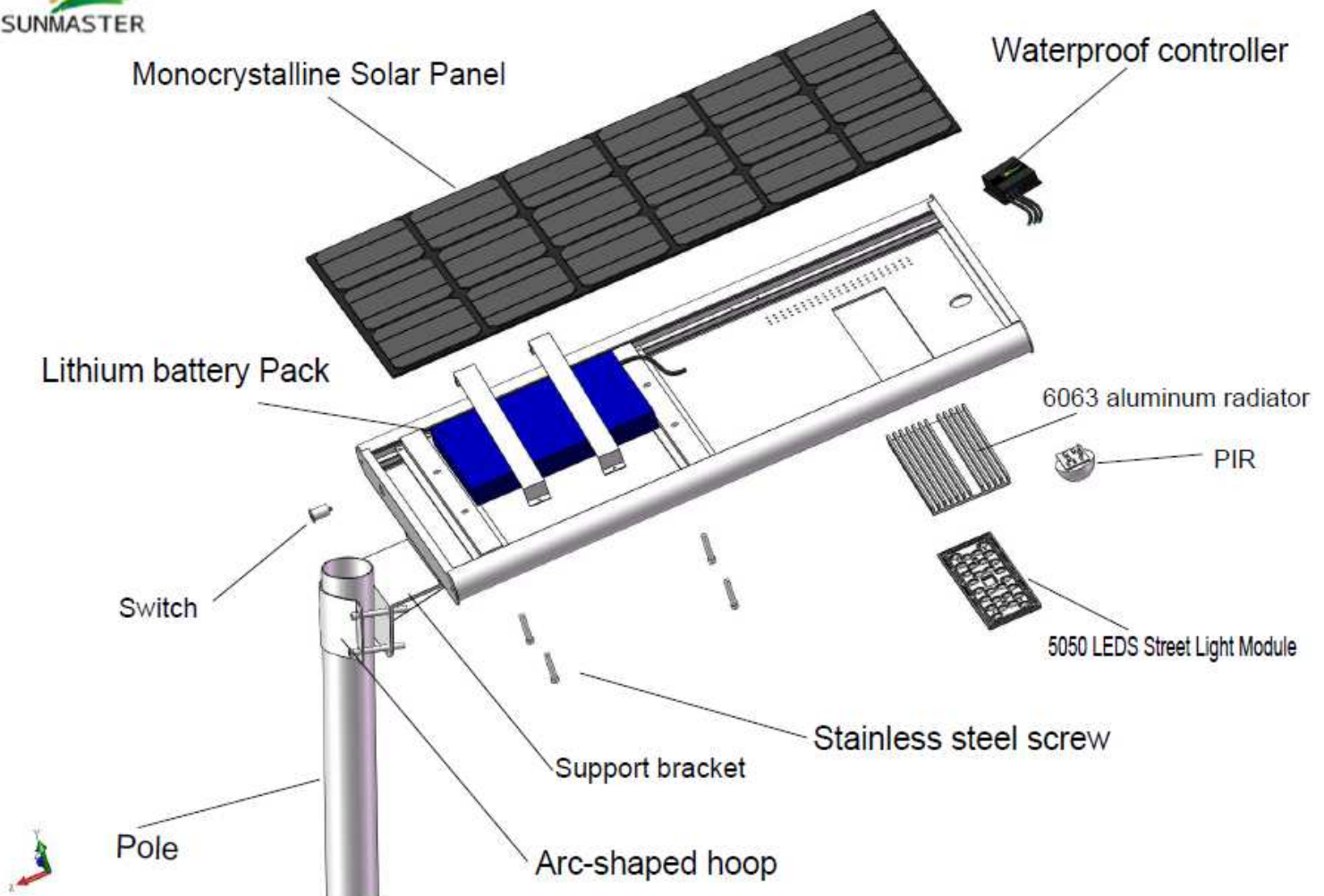


SMLN-30W

AI-in-one Solar Street light

Integrated all-in-one Street, road and area lighting

Technical data



LIGHTING THE WAY

Built specifically to illuminate a wide range of applications, is the world's most versatile and compact LED solar lighting system. Its clever design and slim line construction incorporates the latest solar power and LED technology, providing many years of consistent performance and operational reliability.

BUILT TO LAST

Has been designed to withstand the harshest and most extreme environments has to offer; From blistering heat to driving rain, hail and sub-zero temperatures. Whatever the environment is, SunMaster rugged construction is up for the challenge. Its internal components offer IP65 weather protection and its external components are built with marine grade aluminium and stainless steel fixings.

UNIQUE PROPERTIES

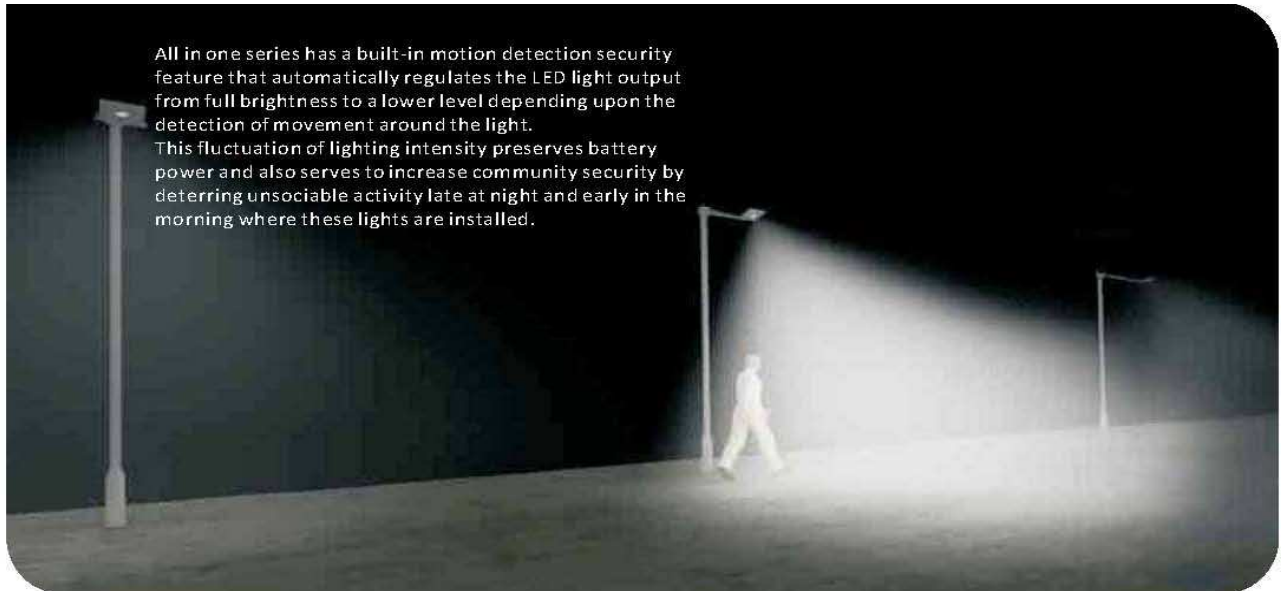
- 'All-In-One' solar module = Easy installation
- Plug & Play wiring = Fast installation
- Lithium battery technology offers up to 4 times more discharge capacity over Lead Acid types and 3 times more cycle life
- Tamper and Theft proof design
- Automated LED output options for greater battery autonomy
- Customer replacement components

SMLN-30W

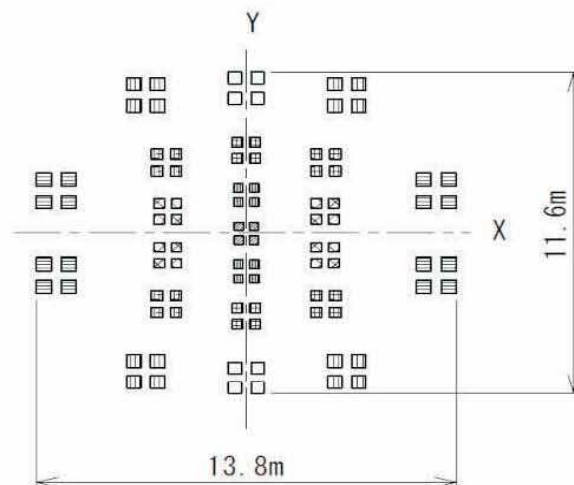
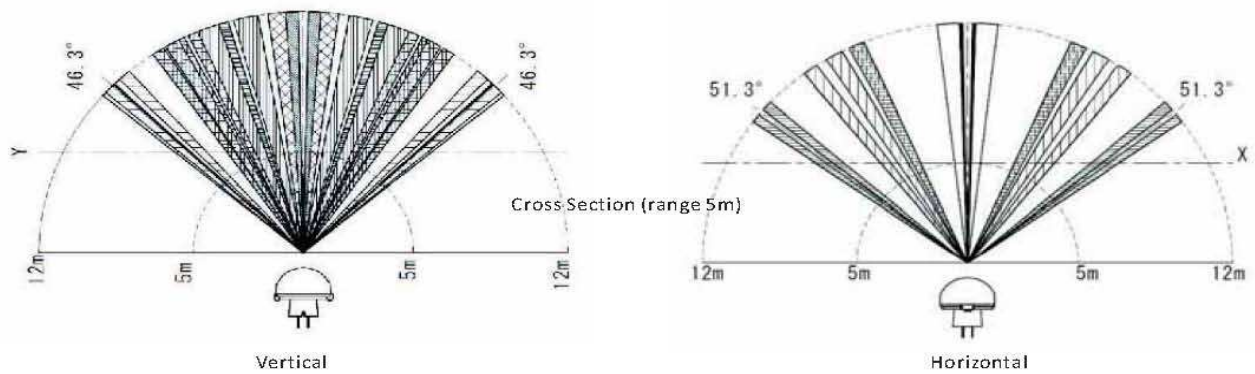
Al-in-one Solar Street light

Integrated all-in-one Street, road and area lighting

Motion Sensor Specification



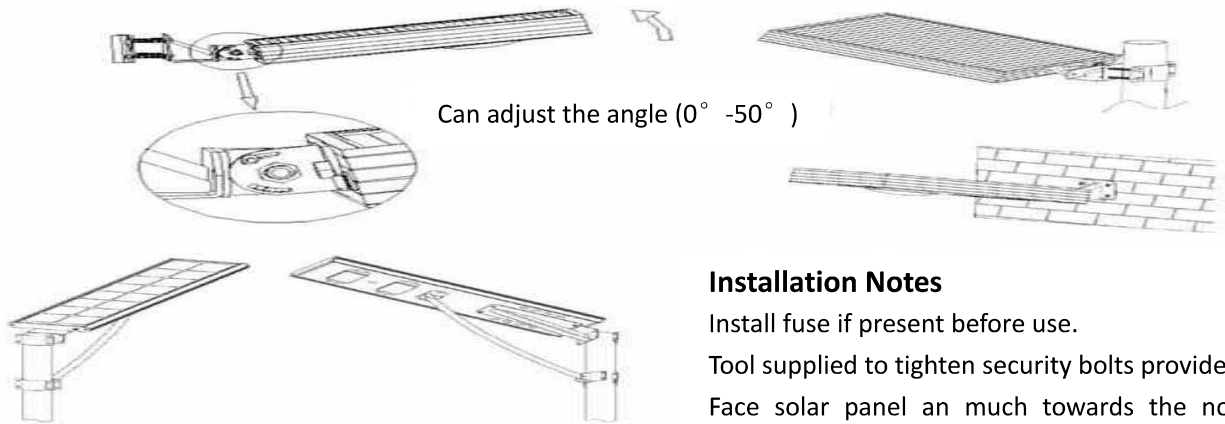
PIR Detection Area



Integrated all-in-one Street, road and area lighting

Installation

Make the solar panel face south while installing, Meanwhile, you can adjust the angle between lamp head and level (as follow). you'd better reconcile the lamp head with local latitude.



Installation Notes

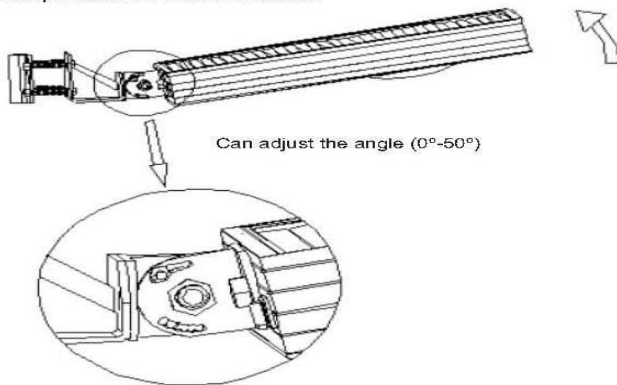
- Install fuse if present before use.
- Tool supplied to tighten security bolts provided.
- Face solar panel as much towards the north as possible to maximize sun exposure.

To place the light pole into the best spot with good day lighting. The light pole should be the length 4.6m, the thickness 2.0mm with material iron or steel, the diameter 50-90mm. Unfold the knob of fuse (see below) and take out the insulating film if the fuse sockets, to check up if the fuse working right or not, and then tighten.

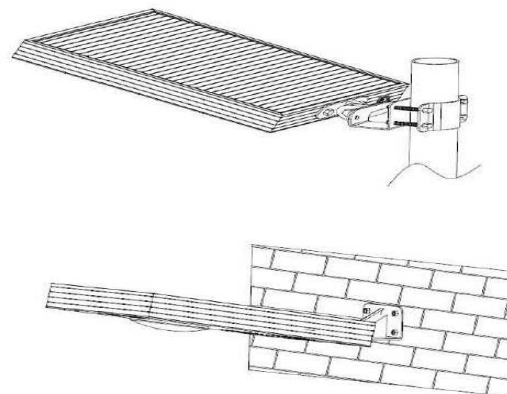
Place the lamp on the pole by its sleeve, special screw should be used and steady installation should be ensured.



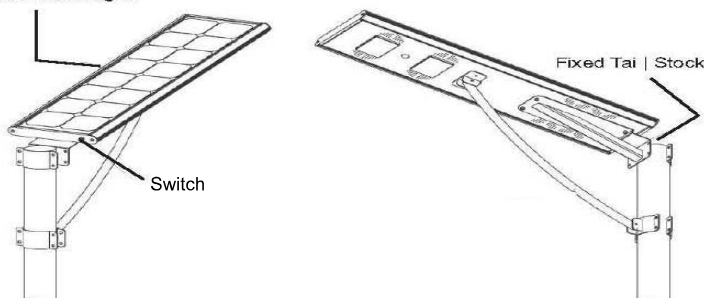
Make the solar panel face south while installing. Meanwhile, you can adjust the angel between the lamp head and level (as follow), you'd better reconcile the lamp head with local latitude.



The second installation method, as followed:



(All in one)
Solar Street light



Intallation Notes (instructions are supplied with each fitting)

- Install fuse if present before use (remove any film under fuse)
- Tool supplied to tighten security bolts provided
- Face solar panel as much towards the north as possible to maximise sun exposure (and therefore battery charge)

NB: As with all solar products, performance is wholly dependet upon the hours of direct sunlight and the orientation of the solar panel.

SMLN-30W

AI-in-one Solar Street light