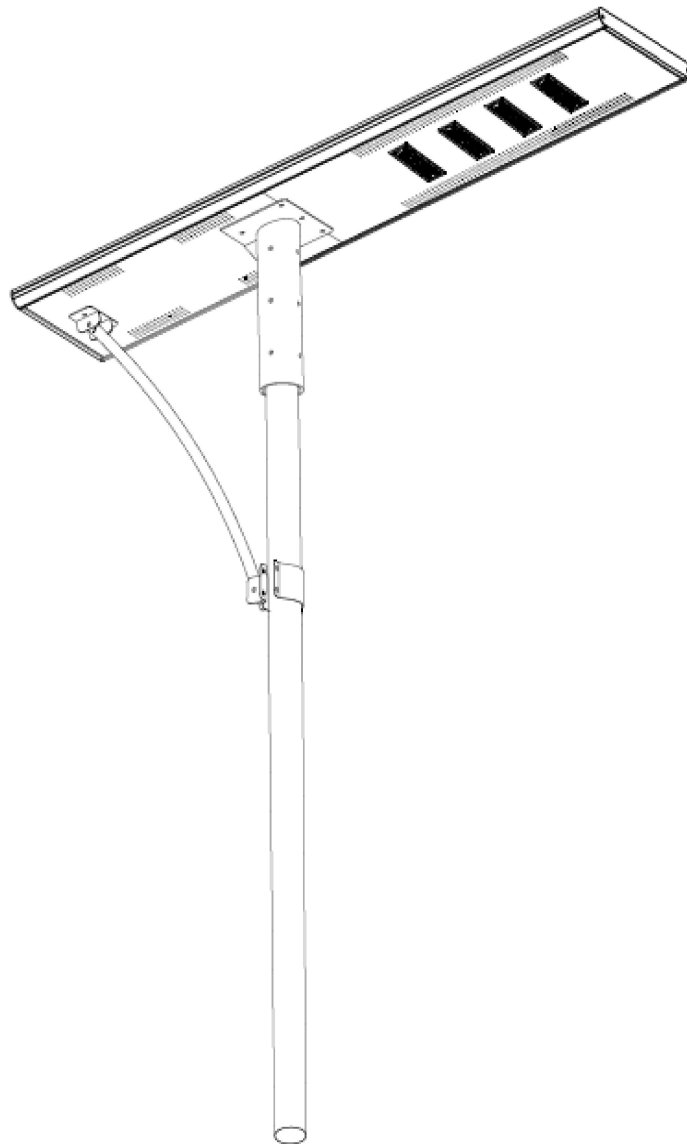


# All-in-one Solar Light

## SPECIFICATIONS

SMLN-80W



## SUNMASTER

Designer solar light with added value



### Application

The SUNMASTER designer solar light is a solar-powered LED lighting solution that can be used at any location where there is no mains power supply. Thanks to its timeless, prizewinning design, the SUNMASTER is excellent for lighting modern urban space as well as protected monumental structures. The ingenious operating system guarantees flawless function for several nights even during the worst weather. According to EN13201 the SUNMASTER is superlative for the illumination classes S5 and S6; that is to say, for side streets with minimal traffic, squares, parking places etc.

### Benefits

**Lower Operation Cost:** It is less expensive to operate a solar powered street light than a traditional street light.

**Compact Design:** Our design and technology implementation have been driven by our desire to eliminate the need for bulky external battery boxes and external solar panels and achieve All in One Solar Powered Street Light.

**Reduced Damage/Theft:** By locating directly on the light fixture and placing the battery within, the risk of damage, theft or tampering is greatly reduced. There are no wires in the street pole, which means that the wire itself (which exists in regular street lights) can't be stolen and sold for scrap.

**Ruggedized Technology:** Require less maintenance and reduced parts replacement due to initially incorporating higher quality components.

**Insect Swarms:** The solar powered street light uses LED lighting which does not produce Infrared light, and therefore will not attract insects.

**Improved Safety:** The solar powered street light does not require connection to an electrical grid. It is safer and easier to install. In the event of a power outage, the light remains on. This reduces the chance of accidents and the constant light deters theft/vandalism.

**Anywhere/anytime:** The solar powered street light can be used in any location. Since no electrical grid is required, it can be installed on buildings, in parking lots, in remote locations simply by hanging it on a pole.

**Faster Installation:** Since you don't need to trench power lines to the pole, run wires up the pole, connect wires to an electrical grid, or hard wire the street light, the installation is significantly faster. In fact, it is so easy, it can be installed on the pole before it's erected, and thereby reducing a step completely from the process.

An added-value package combines a guarantee extended to 6 years with replacement battery and special anti-theft screw set.



## Integrated all -in -one Street, road and area lighting

### Technical data

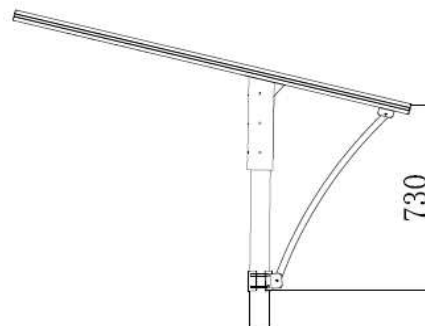
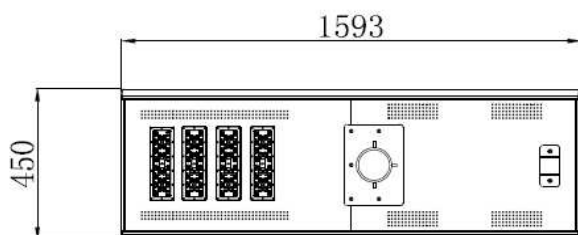
Specification	
Charging Time	6-8 hours by sun
Discharging Time	10-12hours/day
	3 days backup
Working Temperature	-20°C– 70°C
Mounting Height	6-10m (suggested)
Space between light	20-25m (suggested)
Housing material	Aluminum alloy

Photovoltaics	
Module	Monocrystalline silicium cells
Open circuit voltage Voc	43.6V
max. voltage Ump	36.1V
Short circuit current Isc	3.20A
max. current Imp	2.77A
max. power Pmax	120W
Tolerance Pmp	± 3%
Dimensions module	1584×397mm
Level of effectiveness of solar cells (moulded)	17%

Illuminant	
LED max. output	80W
LED max. light flux	13600lm
Colour temperature	5.600k to 6.500k
Autonomous time with full battery max.	45h
LED life	>50,000h
State-of-the-art LED	Insect-neutral light



### Lamp Size Chart



UNIT: MM

**SMLN-80W**  
AI-in-one Solar Street light

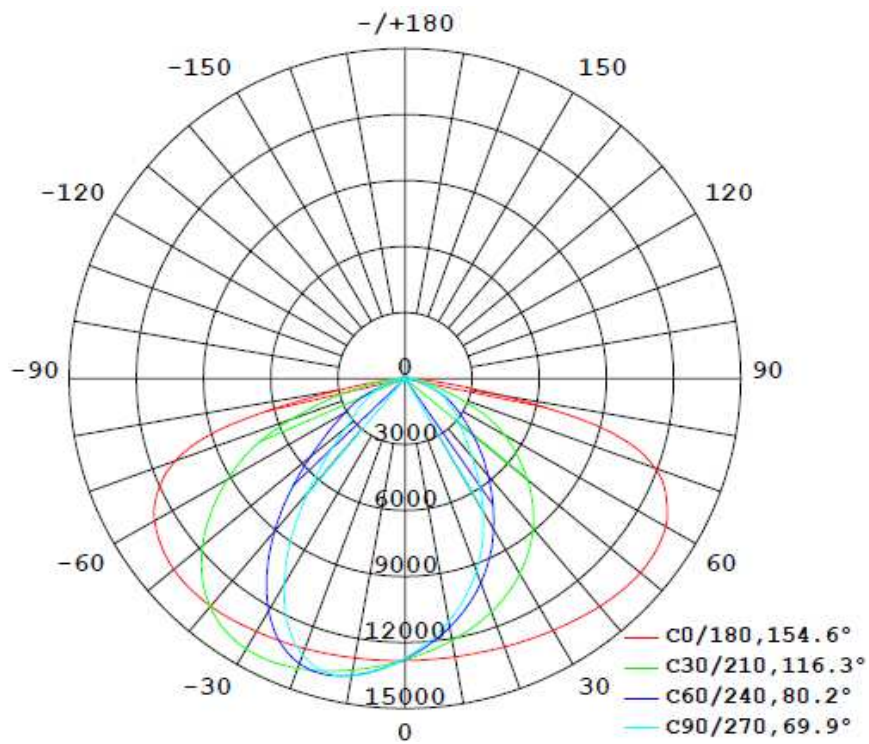
## Integrated all -in -one Street, road and area lighting

### Technical data

Battery	
capacity	Lithium battery(LiFeP04)52Ah/12.8v
voltage	12V
Battery life	approx.5-6 year
Operating temperature	-20°C~+70°C
Miscellaneous	Battery also charges on cloudy days

**Guarantee: 3years**

### Intensity Distribution Diagram

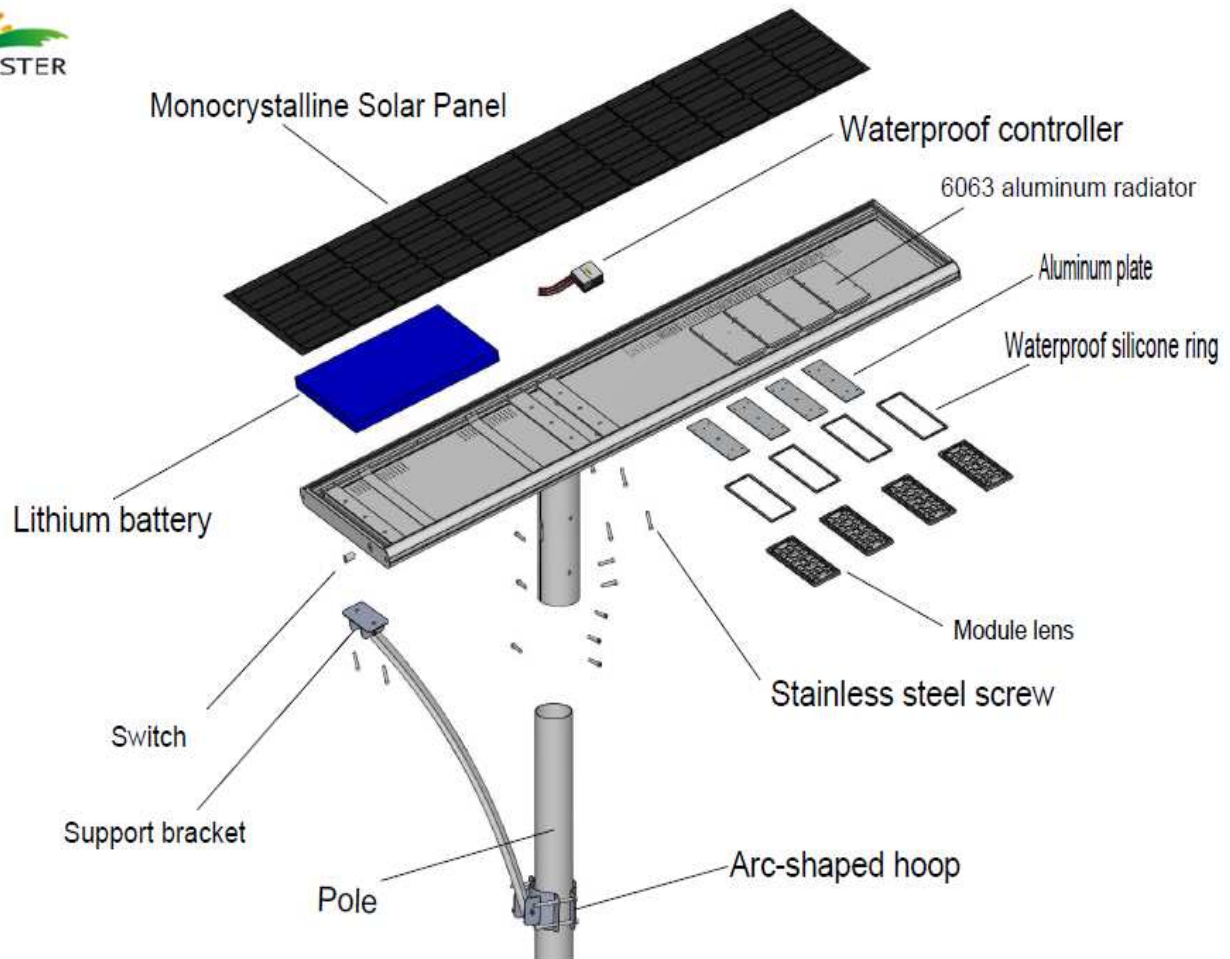


SMLN-80W

AI-in-one Solar Street light

## Integrated all -in -one Street, road and area lighting

### Technical data



### LIGHTING THE WAY

Built specifically to illuminate a wide range of applications, is the world's most versatile and compact LED solar lighting system. Its clever design and slim line construction incorporates the latest solar power and LED technology, providing many years of consistent performance and operational reliability.

### BUILT TO LAST

Has been designed to withstand the harshest and most extreme environments has to offer; From blistering heat to driving rain, hail and sub-zero temperatures. Whatever the environment is, SunMaster rugged construction is up for the challenge. Its internal components offer IP65 weather protection and its external components are built with marine grade aluminium and stainless steel fixings.

### UNIQUE PROPERTIES

- 'All-In-One' solar module = Easy installation
- Plug & Play wiring = Fast installation
- Lithium battery technology offers up to 4 times more discharge capacity over Lead Acid types and 3 times more cycle life
- Tamper and Theft proof design
- Automated LED output options for greater battery autonomy
- Customer replacement components

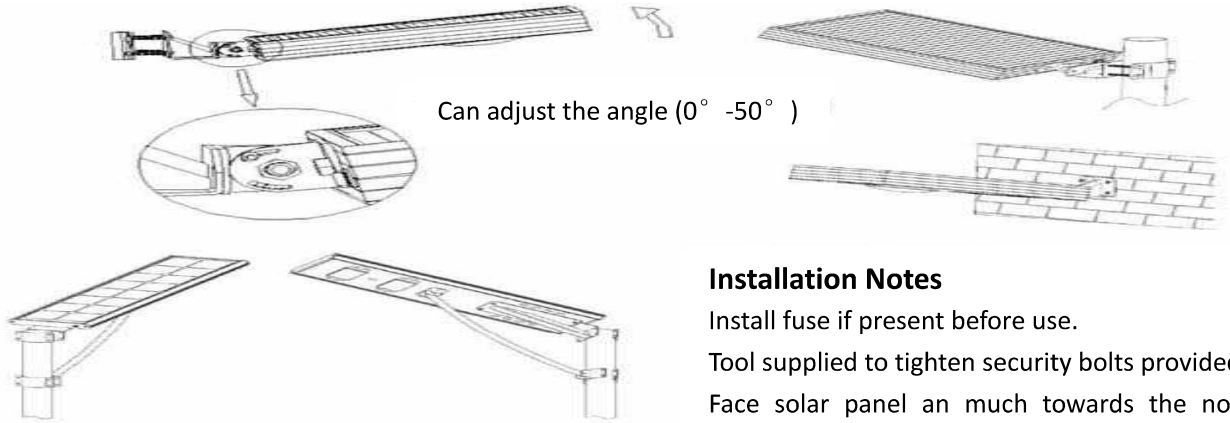
SMLN-80W

All-in-one Solar Street light

## Integrated all-in-one Street, road and area lighting

### Installation

Make the solar panel face south while installing, Meanwhile, you can adjust the angle between lamp head and level (as follow). you'd better reconcile the lamp head with local latitude.



#### Installation Notes

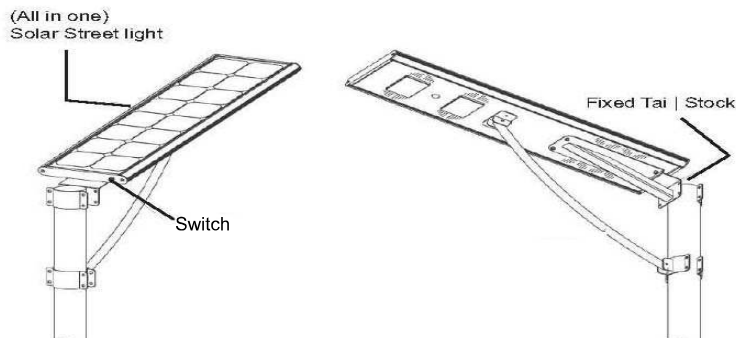
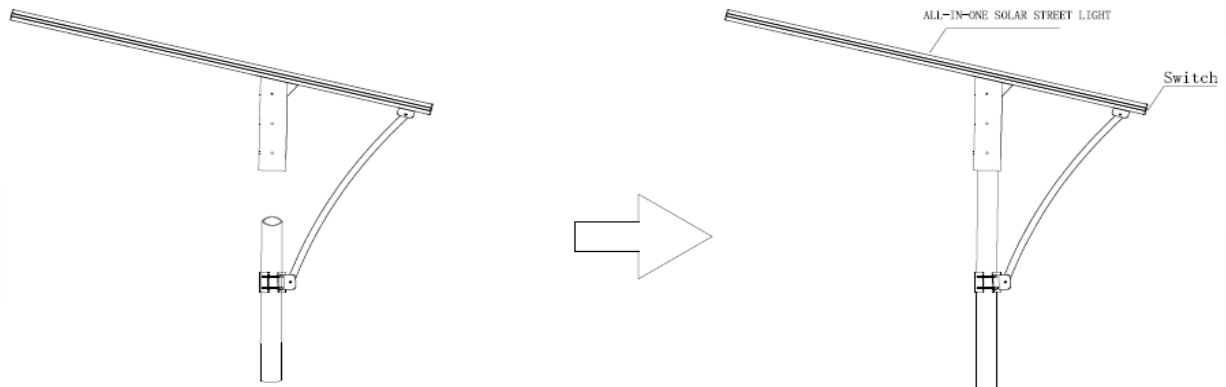
- Install fuse if present before use.
- Tool supplied to tighten security bolts provided.
- Face solar panel as much towards the north as possible to maximize sun exposure.

To place the light pole into the best spot with good day lighting. The light pole should be the length 4.6m, the thickness 2.0mm with material iron or steel, the diameter 50-90mm. Unfold the knob of fuse (see below) and take out the insulating film if the fuse sockets, to check up if the fuse working right or not, and then tighten.

Place the lamp on the pole by its sleeve, special screw should be used and steady installation should be ensured.



Make the solar panel face south while installing. Meanwhile, you can adjust the angel between the lamp head and level (as follow), you'd better reconcile the lamp head with local latitude.



#### Installation Notes (instructions are supplied with each fitting)

- Install fuse if present before use (remove any film under fuse)
- Tool supplied to tighten security bolts provided
- Face solar panel as much towards the north as possible to maximise sun exposure (and therefore battery charge)

NB: As with all solar products, performance is wholly dependent upon the hours of direct sunlight and the orientation of the solar panel.

SMLN-80W

AI-in-one Solar Street light