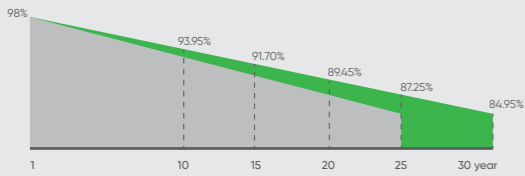


SunMaster 3

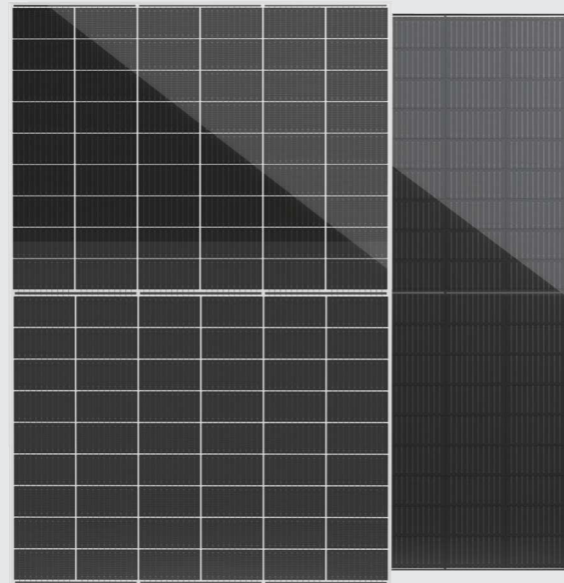
SM300-345W(108)

166mm Cells Mono
PERC with MBB & Half-cut
Technology

Quality Guarantee



▶ Sunmaster solar linear power output guarantee
▶ Standard linear power output guarantee



Standard

All Black

300-345W **-0.55%** **30years**
power attenuation Power warranty

Comprehensive Products and System Certificates



IEC 61215 / IEC 61730 / CE / INMETRO

ISO 9001-

2015/Quality management system

ISO 14001-

2015/Standards for environmental management system

ISO 45001-

2018/International standards for occupational health & safety

Key Features

- Optimal Process Design**
166mm+9BB+Half-cut, higher power output
- Select Grade A Crystalline Silicon Solar Cells**
Grade A crystalline silicon solar cells make high-power output with cost-effective
- Stable Generation Performance**
Power attenuation: first year ≤2%, 0.55% per year from 2-25
- Process Upgraded**
PID Resistant
Lower risk of hot spot and stronger anti-PID ability
- Higher Power Gains and Lower Losses**
Excellent low irradiance performance and low shadow loss
- Strong Environmental Adaptability and Great Durability**
Certified by Dust-Sand, Salt-Mist, Ammonia etc. weather resistance tests and enhanced mechanical load: wind load (2400 Pa) and snow load (5400 Pa)

Mechanical Characteristic

Cell type	Monocrystalline PERC 166*83mm
Number of cells	108(6x18)
Module dimensions	1590x1038x35mm (62.60x40.87x1.38inches)
Weight	16.5kg (36.63lbs)
Front cover	3.2mm(0.13inches) tempered glass with AR coating
Frame	Anodized aluminum alloy
Junction box	≥IP68 & UL
Cable	4mm ² (0.006inches ²), Portrait: 300mm (11.8inches); Landscape: 1200mm (47.24inches)
Connector	MC4 or MC4 compatible

Temperature Characteristics

Nominal Operating Cell Temperature (NOCT)	43°C±2°C
Temperature Coefficients of Pmax	-0.36% / °C
Temperature Coefficients of Voc	-0.28% / °C
Temperature Coefficients of Isc	0.05% / °C

Packaging

Standard packaging	31pcs/pallet
Module quantity per 20' container	186pcs
Module quantity per 40' container	868pcs(HQ)

Electrical Characteristics at STC

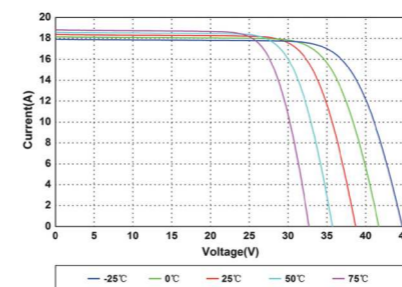
Maximum Power (Pmax)	300W	305W	310W	315W	320W	325W	330W	335W	340W	345W
Open Circuit Voltage (Voc)	34.26V	34.47V	34.68V	34.87V	35.06V	35.25V	35.44V	35.63V	35.82V	36.01V
Short Circuit Current (Isc)	10.37A	10.44A	10.51A	10.57A	10.64A	10.71A	10.78A	10.85A	10.92A	10.99A
Voltage at Maximum Power (Vmp)	30.23V	30.44V	30.64V	30.85V	31.05V	31.26V	31.46V	31.67V	31.87V	32.08V
Current at Maximum Power (Imp)	9.93A	10.02A	10.12A	10.22A	10.32A	10.41A	10.51A	10.60A	10.70A	10.79A
Module Efficiency(%)	19.17	19.34	19.51	19.68	19.85	20.02	20.19	20.36	20.53	20.70
Operating Temperature	-40°C to +85°C									
Maximum System Voltage	1000V DC/1500V DC									
Fire Resistance Rating	Type 1(in accordance with UL1703)/Class C(IEC61730)									
Maximum Series Fuse Rating	25A									
STC Irradiance 1000W/m ² , Cell temperature 25°C, AM1.5; Tolerance of Pmax ±3%; Measurement Tolerance ±3%										

Electrical Characteristics at NOCT

Maximum Power (Pmax)	225W	228W	231W	234W	237W	240W	243W	246W	249W	252W
Open Circuit Voltage (Voc)	33.2V	33.4V	33.6V	33.8V	34.0V	34.2V	34.4V	34.6V	34.8V	35.0V
Short Circuit Current (Isc)	8.49A	8.54A	8.59A	8.64A	8.69A	8.74A	8.79A	8.84A	8.89A	8.94A
Voltage at Maximum Power (Vmp)	27.51V	27.72V	27.91V	28.12V	28.38V	28.64V	28.90V	29.16V	29.42V	29.68V
Current at Maximum Power (Imp)	8.18A	8.23A	8.28A	8.32A	8.37A	8.42A	8.46A	8.51A	8.56A	8.60A

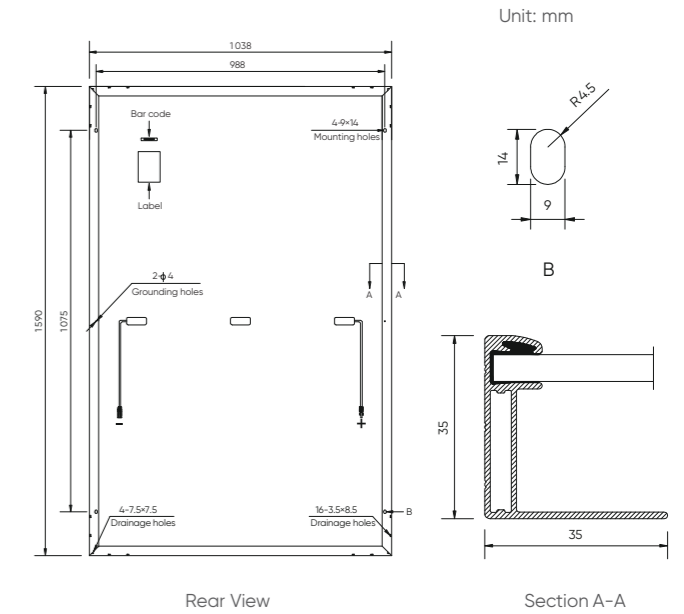
NOCT: Irradiance 800W/m², Ambient temperature 20°C, Wind Speed 1m/s

IV Curves



Current-Voltage and Power-Voltage Curves at Different Irradiances

Engineering Drawings



Specifications in this datasheet are subject to change without prior notice.